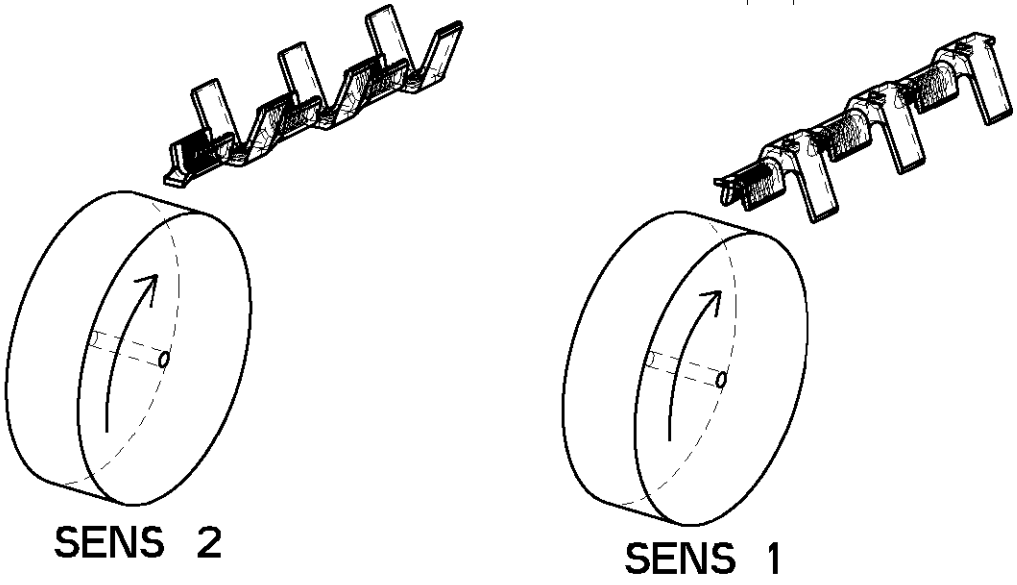
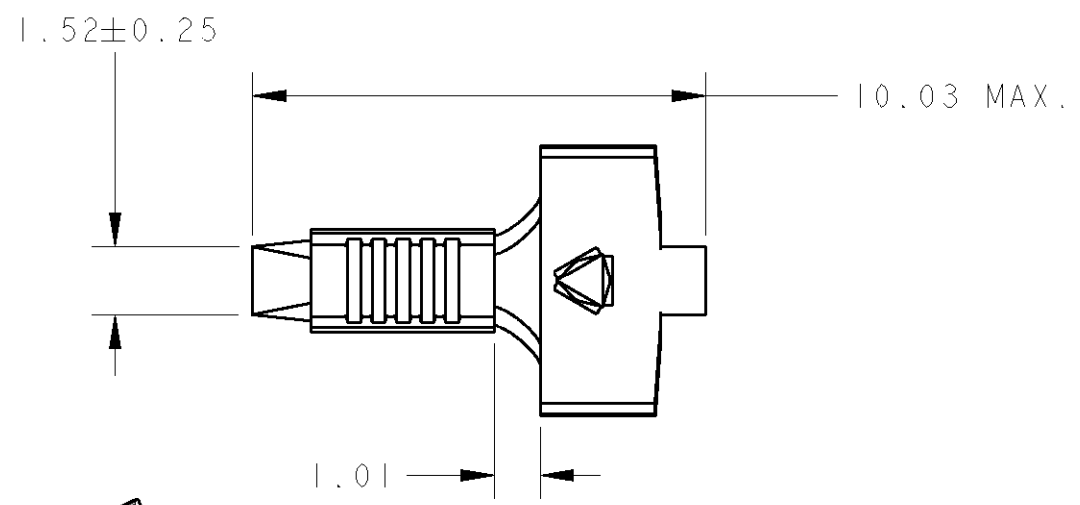
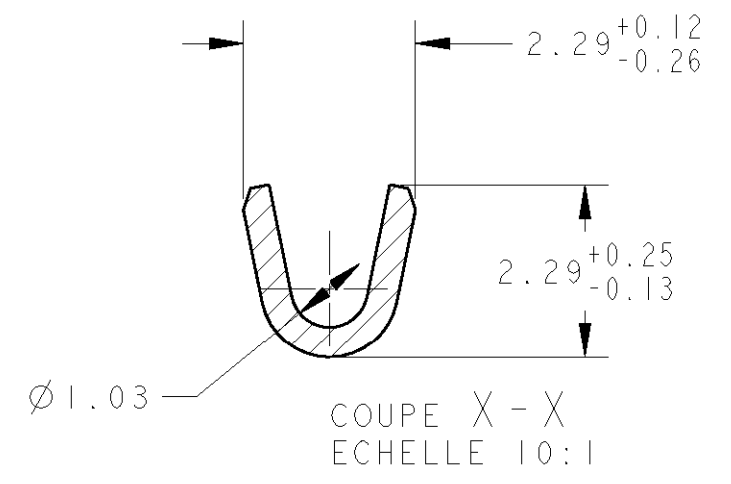
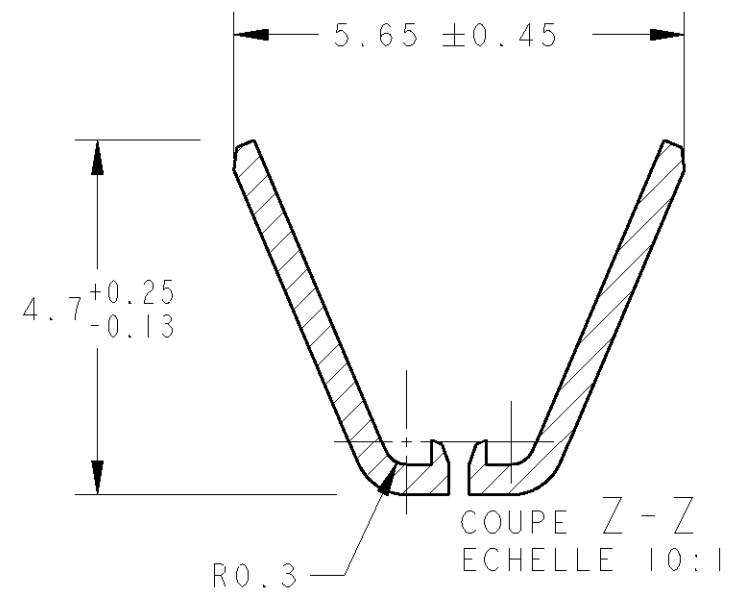
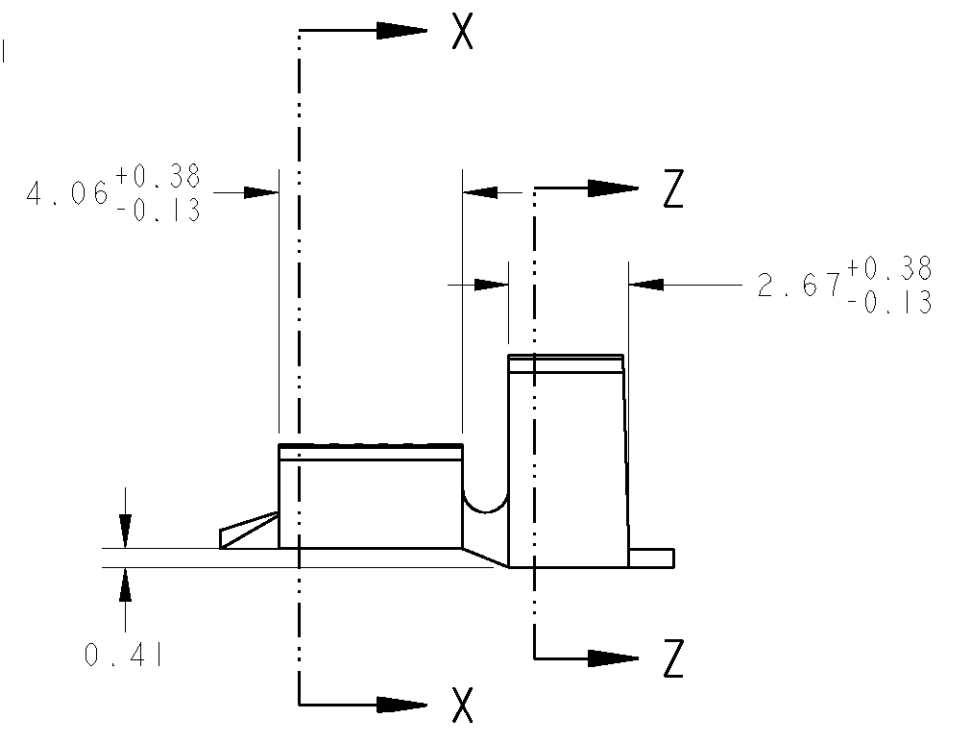



THIS DRAWING IS UNPUBLISHED.
 DIFFUSION RESTREINTE AMP
 © COPYRIGHT 20 BY TYCO ELECTRONICS CORPORATION. ALL RIGHTS RESERVED.
 LIBRE A LA DIFFUSION 20
 TOUS DROITS RESERVES

LOC	DIST	REVISIONS				
P	LTR REV	DESCRIPTION MODIFICATIONS	DATE	DWN DESS.	APVD APP.	
F	7	B	REDESSINE SOUS PRO/ENG, AJOUT I-141175-3	06MAR2001	CC	YP


 ECHELLE 1:1



I-141175-3	SENS 1	LAITON	PRE-ETAME
I-141175-2	SENS 1	LAITON	ETAME
I-141175-1	SENS 1	LAITON	BRUT
I41175-2	SENS 2	LAITON	ETAME
I41175-1	SENS 2	LAITON	BRUT
AMP P/N	BOBINAGE	MATIERE	TRAIT. SURF

<small>THIS DRAWING IS A CONTROLLED DOCUMENT FOR TYCO ELECTRONICS CORPORATION IT IS SUBJECT TO CHANGE AND THE CONTROLLING ENGINEERING ORGANIZATION SHOULD BE CONTACTED FOR THE LATEST REVISION. CE PLAN EST UN DOCUMENT CONTROLE PAR AMP INCORPORATED. IL EST SUSCEPTIBLE D'ETRE REVISE. CONTACTER LE SERVICE TECHNIQUE D'AMP DE FRANCE POUR OBTENIR LA DERNIERE REVISION.</small>		DWN/DESSINE 06MAR2001 C. COMBEDOUZON CHK/VERIFIE 06MAR2001 G. ROBERT APVD/APPROUVE 06MAR2001 Y. PETRONIN		 TYCO ELECTRONICS France SAS BP 39, 95301 CERGY-PONTOISE Cedex	
DIMENSIONS: mm		TOLERANCES UNLESS OTHERWISE SPECIFIED: TOLERANCES NON SPECIFIEES (SUIV NB DE DECIMALES): 0 PLC/DEC: ±- 1 PLC/DEC: ±0.5 2 PLC/DEC: ±0.13 3 PLC/DEC: ±0.013 4 PLC/DEC: ±0.0001 ANGLES ±-		NAME TITRE AMPLIVAR SPLICE WITH INSULATION RANGE	
MATERIAL /MATIERE		FINISH /FINITION		SIZE FORMAT A3 CAGE CODE 00779 DRAWING NO No PLAN C-141175	
CUSTOMER DRAWING /PLAN CLIENT		WEIGHT MASSE APPROX. -		RESTRICTED TO RESERVE A -	
		UNIQUEMENT POUR REFERENCE		SCALE ECHELLE 6:1 SHEET FEUILLE 1 OF DE 1 REV B	